



## Features:

- 3Ø - 3Wire Input
- Monitors Phase Asymmetry, Phase Failure & Phase Sequence
- LED Indication: Power ON, Trip
- DIN Rail Mount

Size: 35mm (Width)

## Technical Specifications

### Display

Type	Analog
No. of LEDs	2

### Input Specifications

Functions	
Measurements	Phase Asymmetry, Phase Failure & Phase Sequence
Alarm Indications	Trip
Reset	Auto
Electrical Connection	
3Ø - 3Wire	
Auxiliary Supply	
Nominal Input Voltage, Un	230V AC ±20%
System Supply	100 - 120V / 220 - 240 / 380 - 440V AC ±20%
VA Rating	4VA max.
Frequency	45 - 65Hz
Trip Settings	
Phase Sequence	Yes
Phase Failure	Yes
Phase Asymmetry	≥40V (fixed)
Trip Time Settings	
Power On Delay (Fixed)	<500ms
Trip Time Delay (Fixed)	3.5s
Recovery Delay Time	<120ms <250ms (Phase sequence)
Hysteresis	
Voltage Asymmetry	<20V between all 3 phases
Accuracy	
Trip Setting Accuracy	±1% of F.S.
Time Setting Accuracy	±5% of F.S. ±100ms

### Output Specifications

Output Contact	1 C/O (SPDT)
Contact Rating	NO: 5A @ 250V AC NC: 3A @ 250V AC
Electrical Life	1 x 10 <sup>5</sup> (100000)
Mechanical Life	1 x 10 <sup>7</sup> (10000000)

### LED Indication

LED1 (Green)	Power ON
LED2 (Red)	Relay (Continuously ON after trip)

### Environmental Specifications

Temperature	Operating: 0 to 50°C Storage: -20 to 70°C
Humidity (non-condensing)	Upto 95% RH
Degree of Protection	IP20 for Terminals IP30 for Enclosure

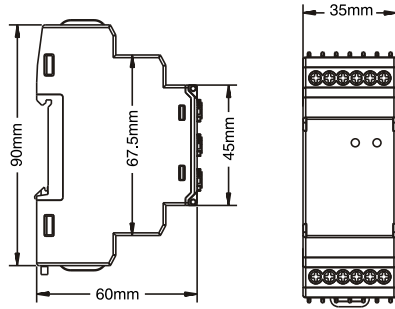
### Mechanical Specifications

Size	35mm (width)
Mounting	DIN Rail
Weight	146 gms
Conductor cross section (Solid)	4 Sq mm@30A
Conductor cross section sleeved (Standard)	1 x (0.5 to 2.5) Sq mm
Screw tightening torque	0.5 N-m

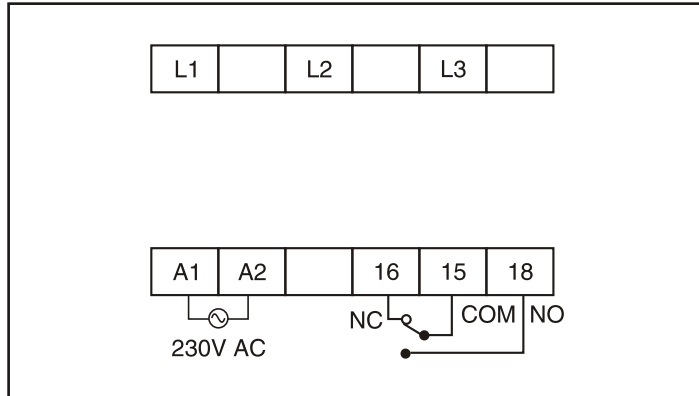
### LED Indication Chart

Conditions	Power ON LED	Relay LED	Relay Status
Nominal Condition	ON	OFF	ON
Phase Reverse	ON	ON	OFF
Phase Asymmetry	ON	ON	OFF
Phase Failure	ON	ON	OFF

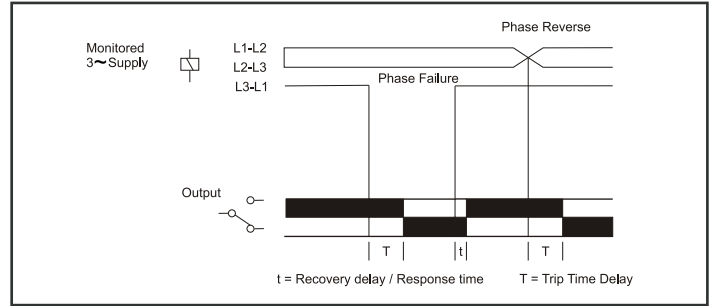
Dimensions



Terminal Connections



Timing Diagram



Ordering Information

Part No.	Supply Voltage	Certification
PSR1-2M-1-230V	230V AC ±20%	---